

Bldg. Permit# \_\_\_\_\_  
Fee: \_\_\_\_\_

### Right of way permit / Water control permit

Date of application: \_\_\_\_\_

Property Owner: \_\_\_\_\_ Address: \_\_\_\_\_ Phone # \_\_\_\_\_

Address of where working is taking place: \_\_\_\_\_

Contractor: \_\_\_\_\_ Ph: \_\_\_\_\_

#### (\*Cash bond required if work involves Right of Way)

Apron  Sidewalk  Driveway tear-out  San/Stm sewer  Waterline  Gas line  Ditch enclosure   
Foundation waterproofing  New footer tiles  Pool  Other  \_\_\_\_\_

Does work involve: Roadway  Public Sidewalks  Driveway apron

Does work going to involve any alteration or changes of the following:

Elect \_\_\_\_\_, Mechanical /HVAC \_\_\_\_\_, Plumbing: \_\_\_\_\_ If you answered yes, then please complete the necessary applications.

Scope of work: \_\_\_\_\_  
\_\_\_\_\_  
\_\_\_\_\_

If work involves public right of way, when will restoration be completed? Date: \_\_\_\_\_

Please provide in space below a sketch of the work that is taking place. Indicate property lines, Dimensions, Public Right of Ways, Buildings and Structures

Signature: \_\_\_\_\_ Date: \_\_\_\_\_

Special stipulation and/or conditions: \_\_\_\_\_

# Chagrin Falls Village Storm Sewer Specifications

Last Updated: 09/24/2010

## 1. Sewer and Lateral Pipe:

a. Reinforced concrete pipe w/ water-tight, flexible gasket joints.

or

b. PVC, SDR 26 – ASTM 3034 with ASTM D3212, F477 water-tight, flexible gasket joints. Deflection testing shall be performed no sooner than 30 days after installation and deflection shall not exceed 5%. SDR 35 may be used with permission of Village Engineer.

Bedding is # 57 limestone to 1' above crown of pipe per Village trench and bedding details.

## 2. Laterals:

Provide lateral cleanouts at the Right-Of-Way Line.

Tees in drives or walk shall have a brass body fitting with bronze plug and square counter-sunk socket.

Minimum pipe size; 6-inch pipe at 1.0% minimum grade.

## 1. Manholes:

Manholes shall be precast concrete reinforced in accordance with ASTM C478.

Manhole castings: EJIW 1710 with grate type lid (or vented if not inlet type).

Manhole section joints shall meet ASTM C-443.

The pipe manhole connection shall be Z-Lock meeting ASTM C923.

Steps shall be M.A Ind. PS1-PF steel reinforced polypropylene.

## 2. Drive Culverts (driveway pipes):

Design year storm: Varies 2 – 10 Year per Village Engineer.

Materials:

Corrugated Metal Pipe,

Smooth-lined High Density Polyethylene (HDPE),

Reinforced Concrete,

PVC-SDR 26.

Bedding is suitable crushed granular material such as #57 limestone.

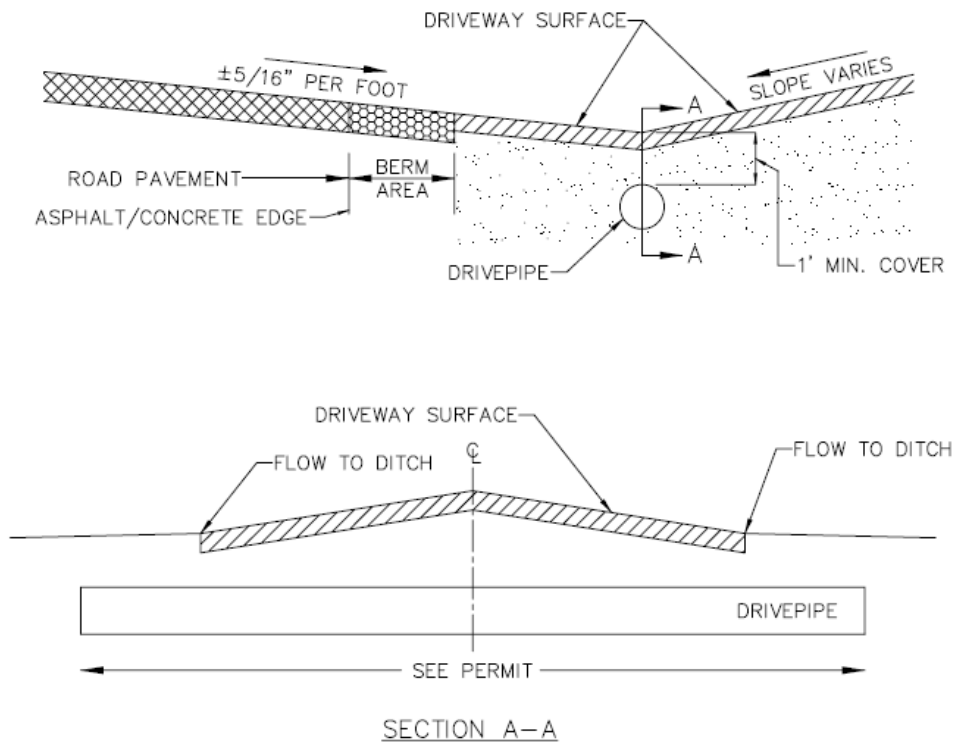
Provide headwalls for design flows over 10 cfs.

Install per attached guidelines (drain surface water away from road - slope drive towards pipe, 1' min cover).

# DRIVEWAY PIPE INSTALLATION GUIDELINES

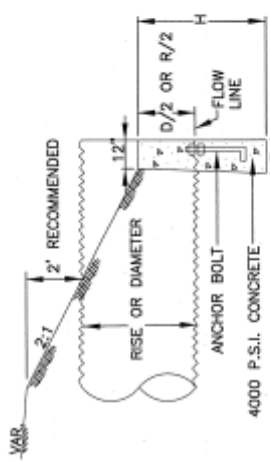
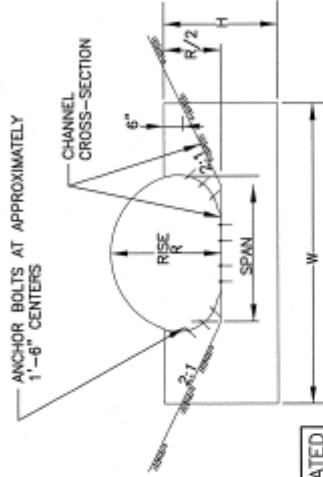
## THE FOLLOWING SPECIFICATIONS APPLY:

- MINIMUM LENGTH = See Permit
- DRIVEWAY SURFACE SHALL BE CROWNED A MINIMUM OF 1/4" PER FOOT
- LOW POINT OF DRIVEWAY SHALL BE AT DRIVEPIPE
- ALL SURFACE WATER SHALL DRAIN INTO DITCH NOT INTO ROADWAY
- A TRENCH DRAIN MAY BE REQUIRED ACROSS THE ENTRANCE OF DRIVEWAYS WITH EXTREME SLOPES WHERE WATER CANNOT BE PREVENTED FROM DRAINING ONTO THE ROADWAY





**CIRCULAR**

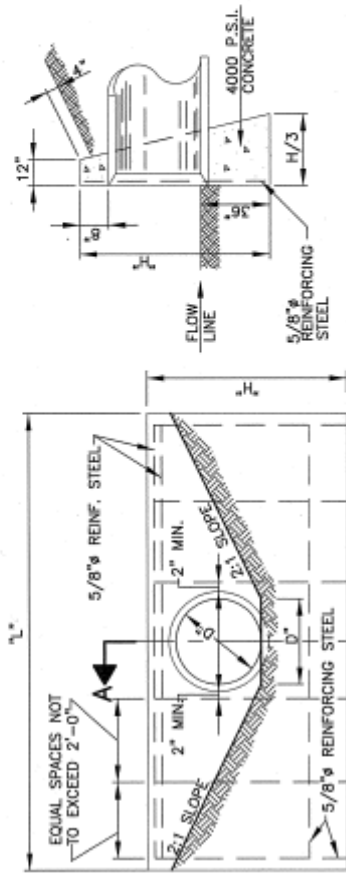


**PROFILE**

NOTE: CHAMFER ALL EXPOSED CORNERS 3/4 OF AN INCH

PIPE-ARCH	CIRCULAR PIPE	DIMENSIONS			ESTIMATED QUANTITY
		SPAN	RISE	CONC. CU.YDS.	
	D	W	H	T	

**HW-4A HEADWALL DETAIL**  
2/88 SD-2-3



**SECTION A-A**

**ELEVATION**

CHAMFER ALL EXPOSED CORNERS 3/4" OF AN INCH.  
 NOTE: WHERE SOIL BEARING CAPACITY IS LESS THAN 2600 P.S.F., INCREASE WIDTH OF BASE.

DIMENSIONS		QUANTITIES ONE HEADWALL	
DIAMETER	"H"	"L"	REINFORCING STEEL LBS.
12"	4'-11"	5'-8"	30
15"	5'-2"	7'-0"	41
18"	5'-5"	8'-4"	57
21"	5'-8"	9'-8"	62
24"	5'-11"	11'-0"	69
30"	6'-5"	13'-8"	92
36"	7'-0"	16'-4"	105

**HW-1 HEADWALL DETAIL**  
 1089 SD-21